

BALDOR® • RELIANCE 

Product Information Packet

EMM3709

5.5KW,3520RPM,3PH,60HZ,D132S,3728M,TEFC

Part Detail							
Revision:	F	Status:	PRD/A	Change #:		Proprietary:	No
Type:	AC	Elec. Spec:	37WGR224	CD Diagram:	CD0005	Mfg Plant:	
Mech. Spec:	37E617	Layout:	37LYE617	Poles:	02	Created Date:	09-12-2012
Base:	RG	Eff. Date:	09-06-2019	Leads:	9#14		

Specs			
Catalog Number:	EMM3709	Heater Indicator:	No Heater
Enclosure:	TEFC	Insulation Class:	F
Frame:	D132S	Inverter Code:	Inverter Ready
Frame Material:	Steel	KVA Code:	J
Output @ Frequency:	5.500 KW @ 60 HZ	Lifting Lugs:	Standard Lifting Lugs
Synchronous Speed @ Frequency:	3600 RPM @ 60 HZ	Locked Bearing Indicator:	No Locked Bearing
Voltage @ Frequency:	460.0 V @ 60 HZ	Motor Lead Quantity/Wire Size:	9 @ 14 AWG
	230.0 V @ 60 HZ	Motor Lead Exit:	Ko Box
XP Class and Group:	None	Motor Lead Termination:	Flying Leads
XP Division:	Not Applicable	Motor Type:	3728M
Agency Approvals:	CSA	Mounting Arrangement:	B3
	UR	Power Factor:	84
Auxillary Box:	No Auxillary Box	Product Family:	General Purpose
Auxillary Box Lead Termination:	None	Pulley End Bearing Type:	Ball
Base Indicator:	Rigid	Pulley Face Code:	Standard
Bearing Grease Type:	Polyrex EM (-20F +300F)	Pulley Shaft Indicator:	Tapped & Key
Blower:	None	Rodent Screen:	None
Current @ Voltage:	18.000 A @ 230.0 V	Shaft Extension Location:	Pulley End

	19.400 A @ 208.0 V	Shaft Ground Indicator:	No Shaft Grounding
	9.000 A @ 460.0 V	Shaft Rotation:	Reversible
Design Code:	A	Shaft Slinger Indicator:	Shaft Slinger
Drip Cover:	No Drip Cover	Speed Code:	Single Speed
Duty Rating:	CONT	Motor Standards:	IEC
Electrically Isolated Bearing:	Not Electrically Isolated	Starting Method:	Direct on line
Feedback Device:	NO FEEDBACK	Thermal Device - Bearing:	None
Frame Prefix:	D	Thermal Device - Winding:	None
Front Face Code:	Standard	Vibration Sensor Indicator:	No Vibration Sensor
Front Shaft Indicator:	None	Winding Thermal 1:	None
		Winding Thermal 2:	None

Nameplate NP1159L			
CAT.NO.	EMM3709		
SPEC.	37E617R224G1		
IEC FRAME	D132S	KW	5.5
VOLTS	230/460		
AMP	18/9		
RPM	3520	ENCL	TEFC
HZ	60	PH	3
SER.F.	1.15	DES	A
NEMA-NOM-EFF	89.5	I.P.	54
RATING	40C AMB-CONT		
CC	010A	USABLE AT 208V	19.4
DE	6208	ODE	6206
SER. #			

Parts List		
Part Number	Description	Quantity
SA250977	SA 37E617R224G1	1.000 EA
RA237825	RA 37E617R224G1	1.000 EA
36FN3000B02	EXFN, PLASTIC, 6.00 OD, 1.175 ID	1.000 EA
HW3200A01	3/8-16X3/4 I-BLT WELDED F/S	1.000 EA
37CB3004	37 CB CASTING W/1.09 LEAD HOLE @ 6:00	1.000 EA
37GS1000SP	GASKET, CONDUIT BOX STD., .06 THICK LEXI	1.000 EA
51XW2520A12	.25-20 X .75, TAPTITE II, HEX WSHR SLTD	2.000 EA
11XW1032G06	10-32 X .38, TAPTITE II, HEX WSHR SLTD U	1.000 EA
37EP3101A01	FR ENDPLATE, FOR ROUTING PURPOSES	1.000 EA
HW4500A01	1641B(ALEMITE)400 UNIV, GREASE FITT	1.000 EA
HW5100A06	W2420-025 WVY WSHR (WB)	1.000 EA
37EP3100A11	PU ENDPLATE, MACH	1.000 EA
HW4500A01	1641B(ALEMITE)400 UNIV, GREASE FITT	1.000 EA
XY3118A12	5/16-18 HEX NUT DIRECTIONAL SERRATION	4.000 EA
51XB1214A20	12-14X1.25 HXWSSLD SERTYB	1.000 EA
07FH4007SP	PRIMED	1.000 EA
51XW1032A06	10-32 X .38, TAPTITE II, HEX WSHR SLTD S	3.000 EA
37CB4516	LIPPED LID FOR 37 FRAME NEC KOBX	1.000 EA
37GS1008	37 GS FOR CB LID - LEXIDE	1.000 EA
51XW0832A07	8-32 X .44, TAPTITE II, HEX WSHR SLTD SE	4.000 EA
HA1005A12	SLINGER, OD 2.50, ID 1.433, 208 BRG	1.000 EA
HW2505B19	KEY, 8 X 10 MM X 2.125 IN	1.000 EA
85XU0407S04	4X1/4 U DRIVE PIN STAINLESS	2.000 EA
LB1115N	LABEL,LIFTING DEVICE (ON ROLLS)	1.000 EA

Parts List (continued)		
Part Number	Description	Quantity
MJ1000A02	GREASE, MOBIL POLYREX EM - 124047	0.050 LB
MG1000Y03	MUNSELL 2.53Y 6.70/ 4.60, GLOSS 20,	0.028 GA
HA3104A14	THRUBOLT- 5/16-18 X12.125(OHIO)	4.000 EA
LC0005E01	CONN.DIA./WARNING LABEL (LC0005/LB1119N)	1.000 EA
NP1159L	SS SUPER-E IEC UL CSA CC	1.000 EA
36PA1001	PKG GRP, PRINT PK1017A06	1.000 EA
MN416A01	TAG-INSTAL-MAINT no wire (1200/bx) 3/19	1.000 EA

AC Induction Motor Performance Data

Record # 57406 - Typical performance - not guaranteed values

Winding: 37WGR224-R043	Type: 3728M	Enclosure: TEFC
-------------------------------	--------------------	------------------------

Nameplate Data				460 V, 60 Hz: High Voltage Connection	
Rated Output (KW)	5.5			Full Load Torque	10.7 LB-FT
Volts	230/460			Start Configuration	direct on line
Full Load Amps	18/9			Breakdown Torque	40.4 LB-FT
R.P.M.	3520			Pull-up Torque	20.6 LB-FT
Hz	60	Phase	3	Locked-rotor Torque	21.8 LB-FT
NEMA Design Code	A	KVA Code	J	Starting Current	68.4 A
Service Factor (S.F.)	1.15			No-load Current	3.73 A
NEMA Nom. Eff.	89.5	Power Factor	84	Line-line Res. @ 25°C	1.1 Ω
Rating - Duty	40C AMB-CONT			Temp. Rise @ Rated Load	44°C
S.F. Amps				Temp. Rise @ S.F. Load	54°C
				Locked-rotor Power Factor	33
				Rotor inertia	0.255 LB-FT ²

Load Characteristics 460 V, 60 Hz, 5.5 KW

% of Rated Load	25	50	75	100	125	150	S.F.
Power Factor	44	68	79	84	87	89	86
Efficiency	81.1	88.7	90.3	90.6	90.4	89.5	90.5
Speed	3581	3563	3542	3521	3498	3473	3507
Line amperes	4.2	5.32	6.95	8.82	10.8	12.9	10

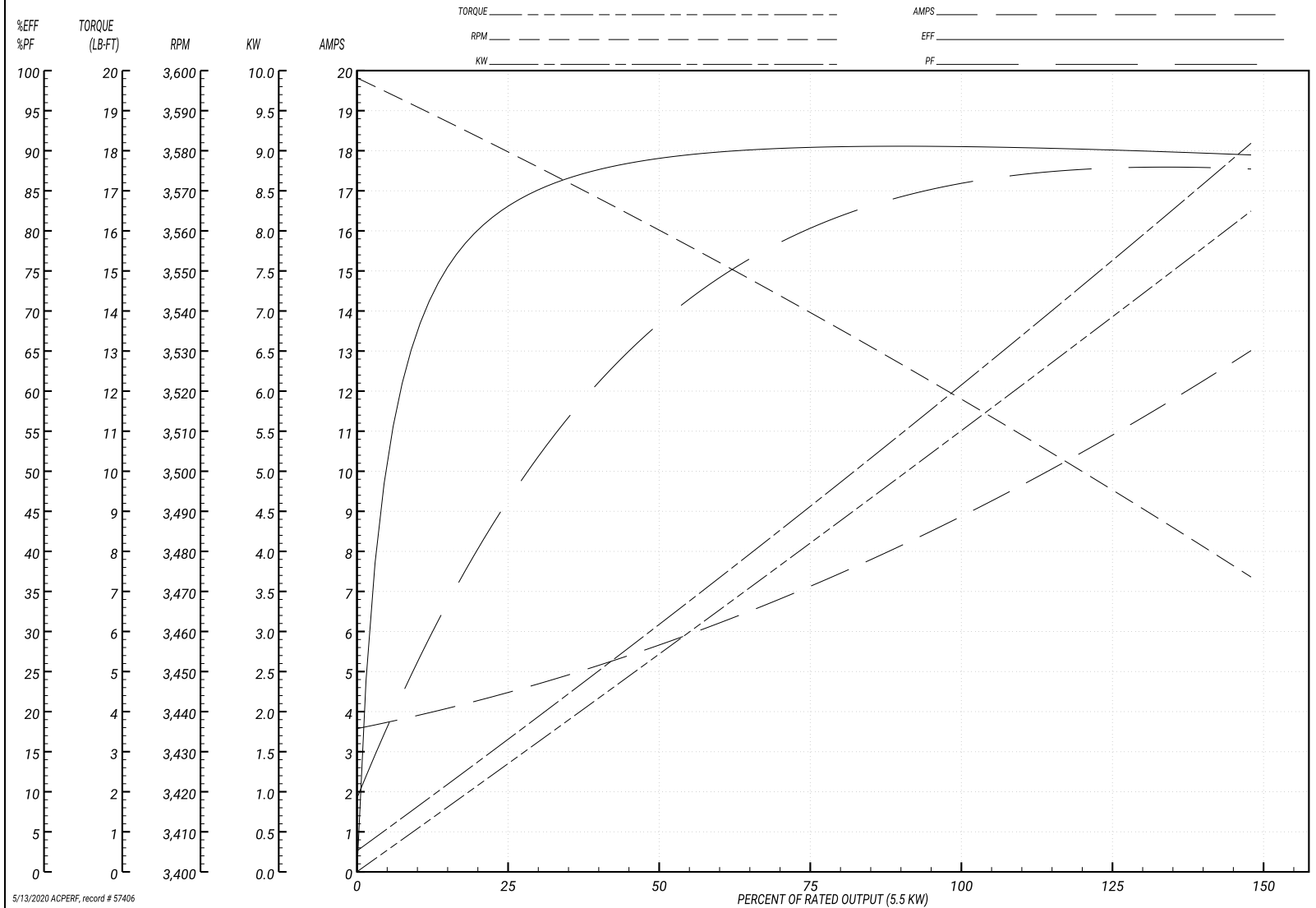
Performance Graph at 460V, 60Hz, 5.5KW Typical performance - Not guaranteed values

ABB Motors and Mechanical Inc.

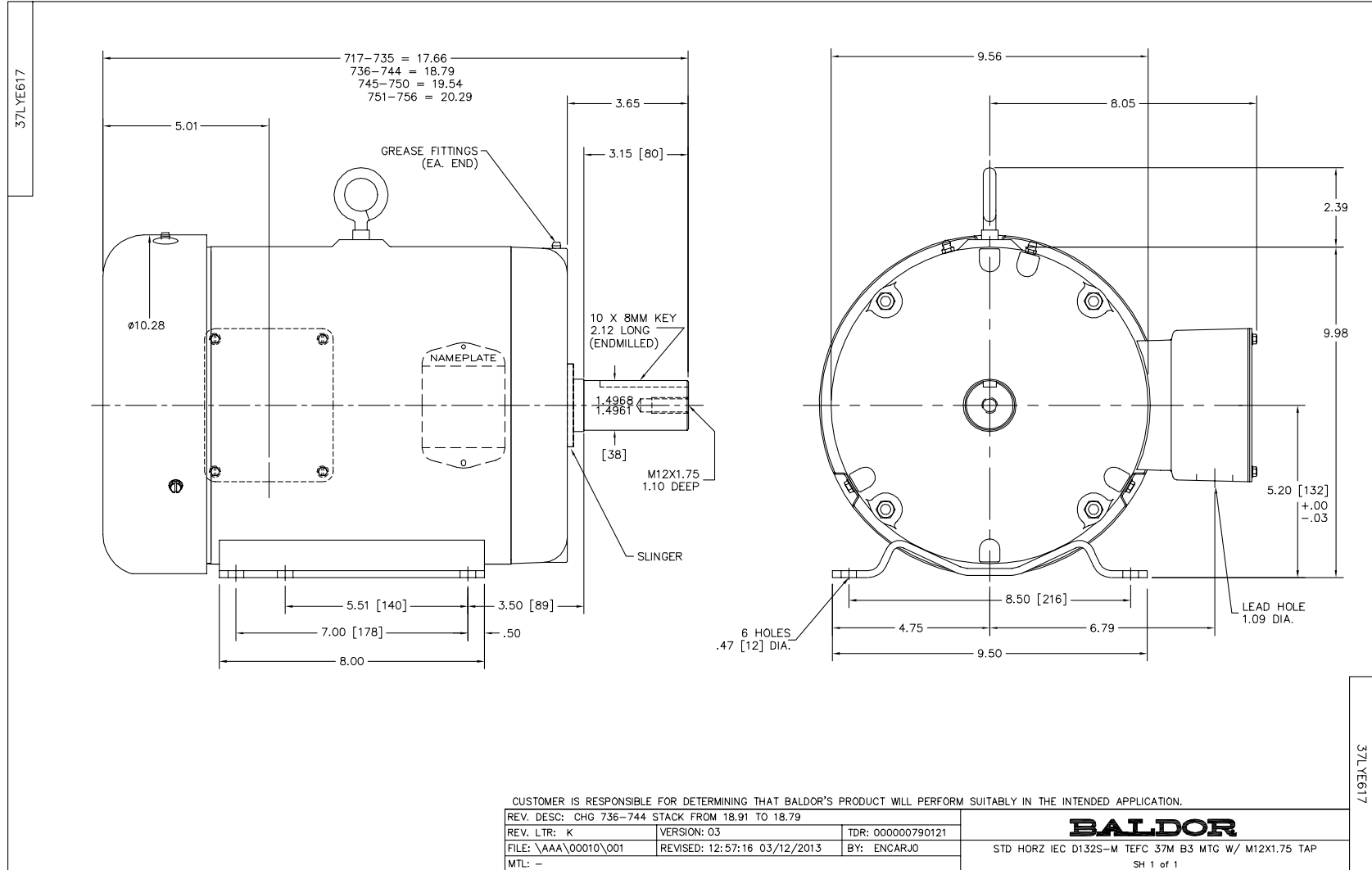
WINDING # 37WGR224

Typical performance - not guaranteed values.

5.5 KW 3 PH 60 HZ 3520 RPM 460 V 3728M
 TORQUES(LB-FT): PO=40.4 PU=20.6 LR=21.8 LRA=68.4



5/13/2020 ACPERF, record # 57406



CD0005



LOW VOLTAGE
(2Y)



LINE

HIGH VOLTAGE
(1Y)



LINE

NOTES:

1. INTERCHANGE ANY TWO LINE LEADS TO REVERSE ROTATION.
2. OPTIONAL THERMOSTATS ARE PROVIDED WHEN SPECIFIED.
3. ACTUAL NUMBER OF INTERNAL PARALLEL CIRCUITS MAY BE A MULTIPLE OF THOSE SHOWN ABOVE.
4. LEAD COLORS ARE OPTIONAL. LEADS MUST ALWAYS BE NUMBERED AS SHOWN.

REV. DESC: REVISE TO SHOW OPTIONAL COLORS

REV. LTR: E BY: JLP

REVISED: 01/19/99 10:15

TDR: 0171435

90000

FILE: AAA00005140

MDL: -

MTL: -

BALDOR ELECTRIC Co.

3PH, DV, 9 LEADS

CD0005